

Name: _____

My 14-6 Time Conversion

$$1 \text{ h} = 60 \text{ min}$$

From Hours to Minutes X by 60	From Minutes to Hours ÷ by 60
----------------------------------	----------------------------------

1. 3 h =

7. 2 h and 15 min =

2. 240 min =

8. 3 h and 23 min =

3. 600 min =

9. 127 min =

4. 6 h =

10. 230 min =

5. 9 h =

11. 4 h and 14 min

6. 120 min =

12. 75 min

Name: _____

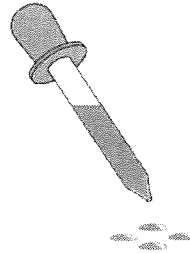
Milliliters and Liters

A **liter** (L) and a **milliliter** (mL) are two units for measuring capacity in the metric system.



This bottle holds 1 liter of water.

To convert liters to milliliters, multiply by 1,000.



A milliliter is about 20 drops of water.

To convert milliliters to liters, divide by 1,000.

1. $3,000 \text{ mL} = \underline{\hspace{2cm}} \text{ L}$

2. $8 \text{ L} = \underline{\hspace{2cm}} \text{ mL}$

3. $60 \text{ L} = \underline{\hspace{2cm}} \text{ mL}$

4. $80,000 \text{ mL} = \underline{\hspace{2cm}} \text{ L}$

5. $41,000 \text{ mL} = \underline{\hspace{2cm}} \text{ L}$

6. $70 \text{ L} = \underline{\hspace{2cm}} \text{ mL}$

7. $100 \text{ L} = \underline{\hspace{2cm}} \text{ mL}$

8. $5,000 \text{ mL} = \underline{\hspace{2cm}} \text{ L}$

9. $93,000 \text{ mL} = \underline{\hspace{2cm}} \text{ L}$

10. $52 \text{ L} = \underline{\hspace{2cm}} \text{ mL}$

11. $200,000 \text{ mL} = \underline{\hspace{2cm}} \text{ L}$

12. $600 \text{ L} = \underline{\hspace{2cm}} \text{ mL}$

13. A recipe calls for 2 L of water and 1 L of milk. How many mL is this combined?

Name: _____

Milliliters and Liters

A **liter** (L) and a **milliliter** (mL) are two units for measuring capacity in the metric system.

The bottle pictured at the left holds 1 L of water.

About twenty drops of water equals 1 mL.



To convert liters to milliliters,
multiply by 1,000.

$$9 \text{ L} \times 1,000 = 9,000 \text{ mL}$$

To convert milliliters to liters,
divide by 1,000.

$$13,000 \text{ mL} \div 1,000 = 13 \text{ L}$$

Determine which amount is more. Write the larger amount on the line. If the amounts are equal, write the word equal on the line.

- 3 L or 300 mL of milk 1. _____
- 10,000 mL or 10 L of juice 2. _____
- 60 L or 60,000 mL of vegetable oil 3. _____
- 140,000 mL or 1,400 L of water 4. _____
- 37 L or 38,000 mL of soap 5. _____
- 500 mL or 1 L of vinegar 6. _____
- 9 L or 950 mL of maple syrup 7. _____
- 7,000 mL or 7 L of cleaning fluid 8. _____
- 10,100 mL or 10 L of gasoline 9. _____
- 8 L or 8,001 mL of jelly 10. _____
- 66,000 mL or 66 L of lemonade 11. _____
- 801 L or 810,000 mL of honey 12. _____

Measuring Worksheet 3

Convert the measuring units as indicated.

1a. **48 oz = _____ C**

1b. **8 C = _____ oz**

2a. **1 gal = _____ qt**

2b. **2 C = _____ pt**

3a. **2 pt = _____ C**

3b. **5 C = _____ oz**

4a. **3 gal = _____ qt**

4b. **6 pt = _____ C**

5a. **4 gal = _____ qt**

5b. **1 C = _____ oz**

6a. **7 pt = _____ C**

6b. **6 C = _____ pt**

7a. **4 pt = _____ C**

7b. **28 qt = _____ gal**

8a. **3 C = _____ oz**

8b. **2 gal = _____ qt**

9a. **8 gal = _____ qt**

9b. **2 C = _____ oz**

10a. **7 C = _____ oz**

10b. **6 gal = _____ qt**

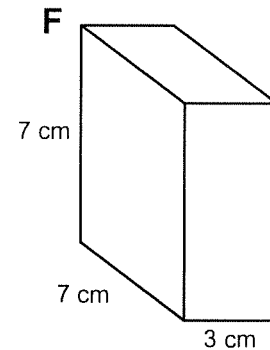
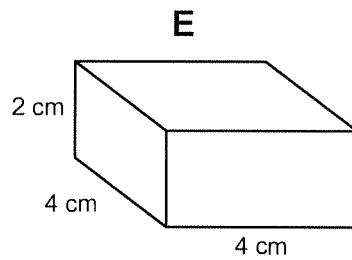
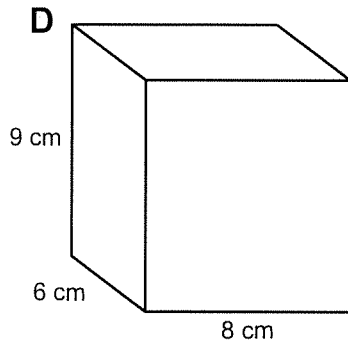
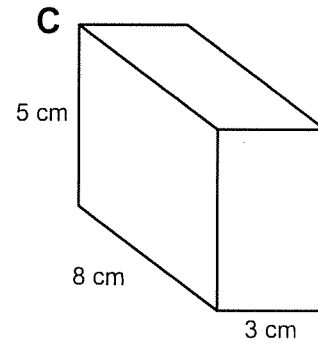
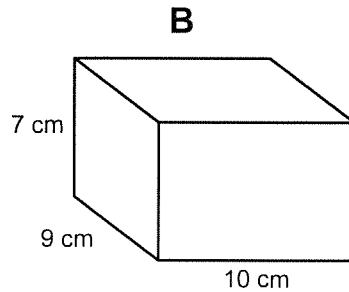
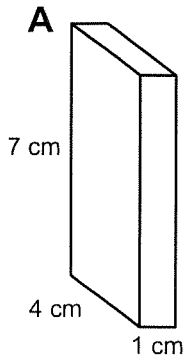
Answer Key

$$\text{Volume} = \text{length} \times \text{width} \times \text{height}$$

Questions About Volume

Name: _____ Date: _____

Answer the questions about these six solids.



- (1) Which solids have a volume less than the volume of solid C? _____
- (2) What are the volumes of solid B and solid A combined? _____
- (3) What is the difference between the volumes of solid A and solid F? _____
- (4) Which solid has a volume 602 cm^3 less than solid B? _____
- (5) Which solids have a volume greater than the volume of solid F?

- (6) How much greater is the volume of solid B than solid E? _____
- (7) Which solid has a volume 312 cm^3 greater than solid C? _____
- (8) What are the volumes of solid D and solid E combined? _____

Name: _____

Addition, Subtraction, Multiplication and Division.

$5 \times 3 =$	$5 \times 3 =$	$8 \times 4 =$	$12 - 10 =$
$11 - 1 =$	$4 - 4 =$	$2 + 9 =$	$7 - 3 =$
$6 \times 0 =$	$10 - 0 =$	$6 \div 3 =$	$9 \times 9 =$
$4 + 3 =$	$10 \div 5 =$	$6 \div 2 =$	$35 \div 7 =$
$7 \times 7 =$	$3 \times 5 =$	$4 + 4 =$	$7 \times 7 =$
$0 \times 3 =$	$12 + 7 =$	$0 \times 5 =$	$9 \times 1 =$
$7 \times 5 =$	$10 - 2 =$	$9 + 5 =$	$4 \times 5 =$
$7 + 9 =$	$9 \times 9 =$	$10 - 2 =$	$0 + 3 =$
$8 \times 2 =$	$3 + 8 =$	$1 \times 1 =$	$6 \div 3 =$
$11 - 9 =$	$0 + 0 =$	$7 + 9 =$	$24 \div 6 =$
$9 \times 0 =$	$12 + 5 =$	$5 \times 2 =$	$36 \div 4 =$
$27 \div 3 =$	$11 + 1 =$	$5 \times 1 =$	$5 - 0 =$
$5 - 5 =$	$32 \div 8 =$	$12 + 4 =$	$4 \div 1 =$
$7 - 3 =$	$9 \times 1 =$	$10 - 6 =$	$11 + 6 =$
$1 \times 2 =$	$7 \times 5 =$	$1 + 1 =$	$2 + 11 =$
$1 + 6 =$	$27 \div 3 =$	$1 + 12 =$	$6 - 6 =$
$2 \times 9 =$	$2 - 0 =$	$6 - 1 =$	$11 + 11 =$
$15 - 9 =$	$11 - 3 =$	$8 \div 4 =$	$1 + 0 =$
$11 - 8 =$	$14 - 8 =$	$8 \times 2 =$	$8 + 8 =$
$27 \div 9 =$	$8 \times 4 =$	$9 \times 0 =$	$20 \div 4 =$
$9 - 5 =$	$0 + 2 =$	$3 \div 1 =$	$8 - 4 =$
$11 - 3 =$	$30 \div 5 =$	$12 - 5 =$	$14 - 8 =$
$7 - 2 =$	$45 \div 9 =$	$5 + 1 =$	$3 - 2 =$
$4 \times 4 =$	$13 - 6 =$	$6 + 12 =$	$12 + 2 =$
$16 - 10 =$	$8 \div 4 =$	$10 - 1 =$	$11 - 2 =$