

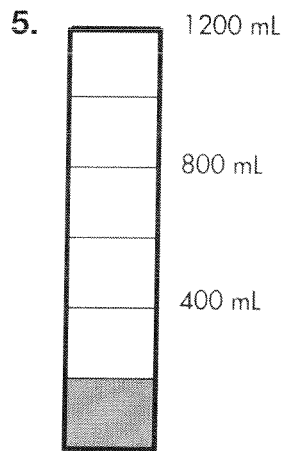
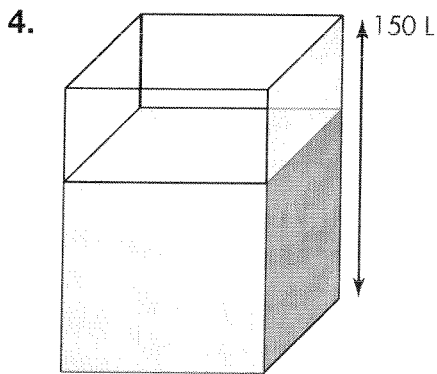
Name \_\_\_\_\_

# Metric Units of Capacity

**Estimation** Which unit of capacity would be most reasonable to measure each?

1. bottle of water: 1 mL or 1 L \_\_\_\_\_
2. bottle cap: 20 mL or 20 L \_\_\_\_\_
3. swimming pool: 80,000 mL or 80,000 L \_\_\_\_\_

Give the amount of liquid in each container.



6. **Reasonableness** In a science fair project, you test four different-sized containers of water: 1 L, 2 L, 4 L, and 5 L. Which of the following expresses these capacities in milliliters?

- A 1 mL, 2 mL, 4 mL, 5 mL
- B 10 mL, 20 mL, 40 mL, 50 mL
- C 100 mL, 200 mL, 400 mL, 500 mL
- D 1,000 mL, 2,000 mL, 4,000 mL, 5,000 mL

7. **Explain It** Tell whether you would use multiplication or division to convert milliliters to liters. Explain your answer.

\_\_\_\_\_

\_\_\_\_\_

Practice 14-2